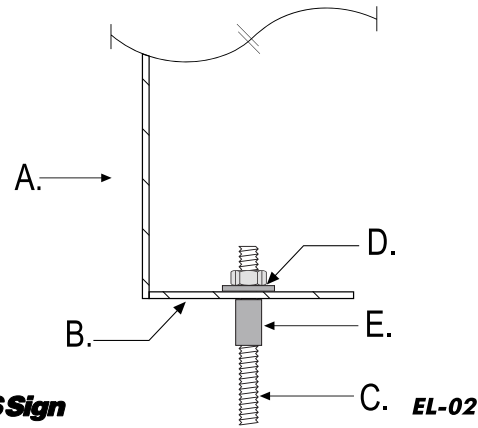


Side View Section Detail:



**BOTTOM MOUNT  
OPEN BACK**

A. Face

B. Return

C. Stud

D. Washer, Nut

E. Spacer