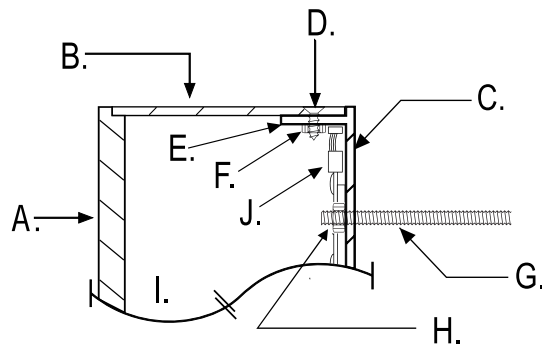


Side View Section Detail: N/T/S



USSign

RM-03

**RIMLESS FACE
Cookie tin backs**

- | |
|--|
| A. Shoulder Routed face |
| B. Return |
| C. Cookie Tin Back |
| D. Countersunk screw to thru return to secure back flange inner return |
| E. Inner Cookie tin return |
| F. Nut welded to inside of inner return |
| G. Mounting Stud / length varies |
| H. Welded Nut for mounting stud |
| I. Interior painted reflective matte white |
| J. LEDs |