

8 | 7 | 6 | 5 | 4 | 3 | 2 | 1

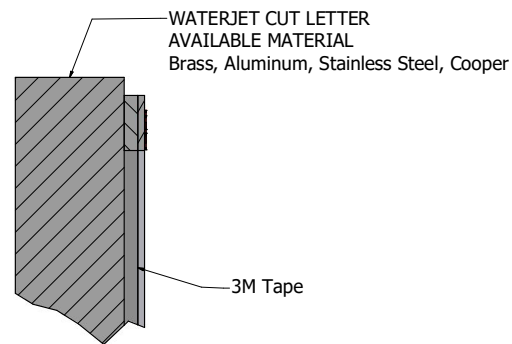
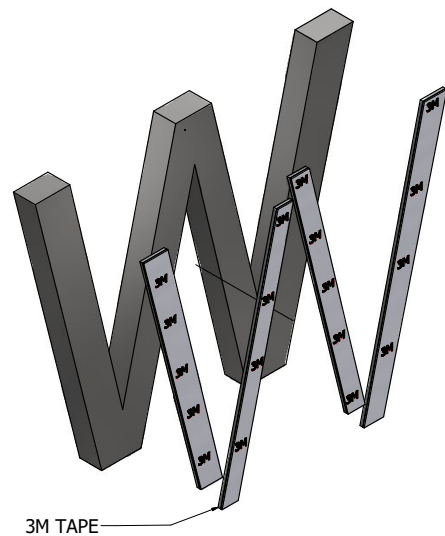
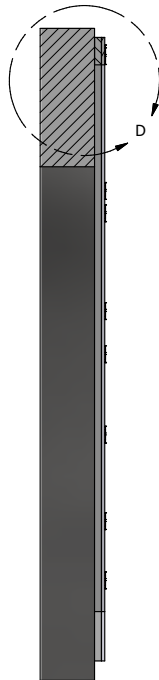
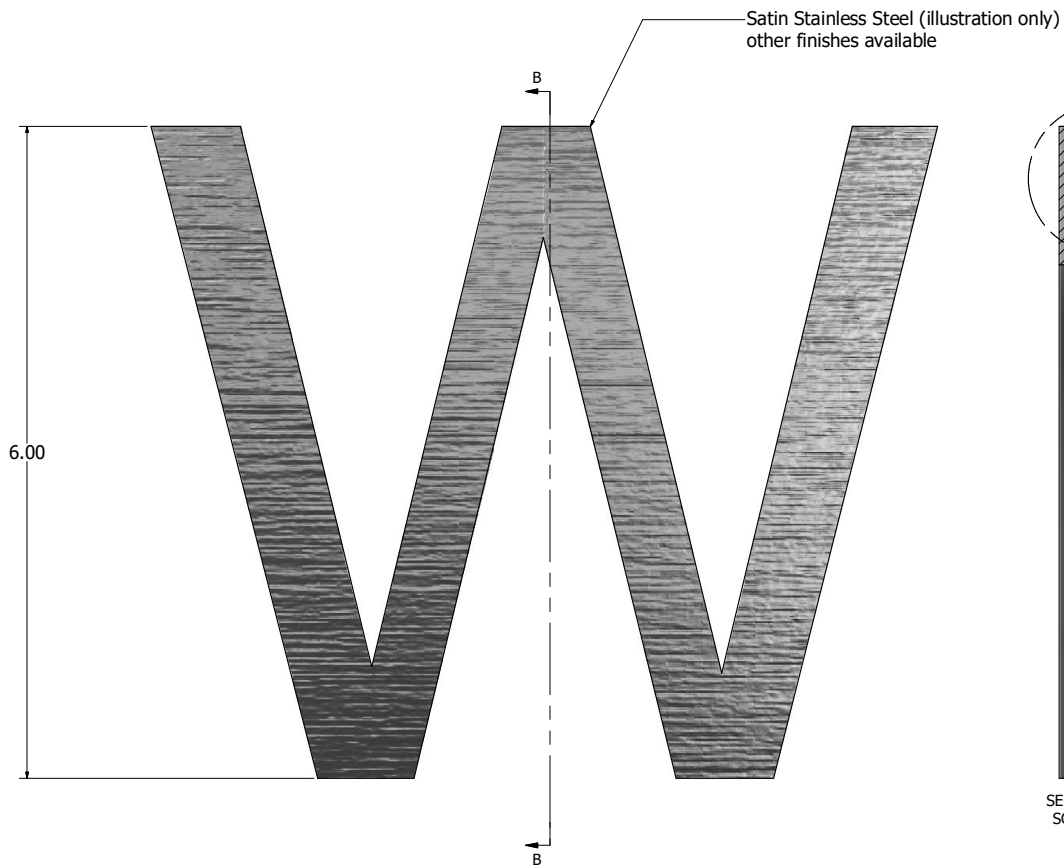
D

D



C

C



DETAIL D  
SCALE 3.50 : 1

A

A

DRAWN	5/15/2018	TITLE	
CHECKED		Waterjet Cut Letter Tape Mount	
QA		SIZE	D
PMFG		DWG NO	WATERJET STUD MOUNT ASSEMBLY
APPROVED		SCALE	1.75
		SHEET	3 OF 3

8 | 7 | 6 | 5 | 4 | 3 | 2 | 1