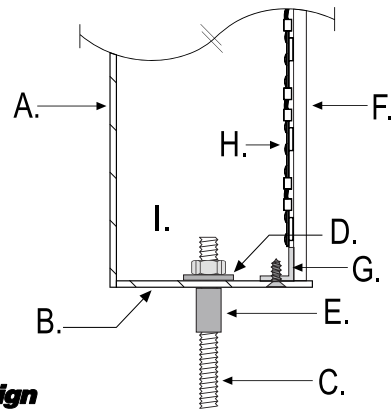


Side View Section Detail:



**USSign**

**HL-04**

### BOTTOM MOUNT Halo Lit

- |                                      |
|--------------------------------------|
| A. Face                              |
| B. Return                            |
| C. Stud                              |
| D. Washer, Nut                       |
| E. Spacer                            |
| F. Clear lexan back                  |
| G. Removable L-Clip/ 4-40 screw      |
| H. Leds                              |
| I. Interior painted reflective white |