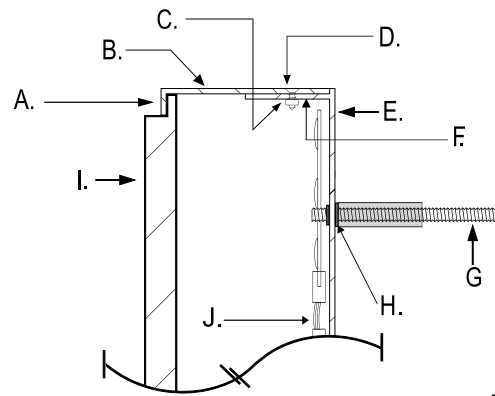


Side View Section Detail: N/T/S



USSign

TP-04

**TRIM PLUS - PUSH THRU FACE
Cookie Tin Back**

A. Size Trim / Material
B. Size Return / Material
C. Nut welded to inside of inner return
D. Flat head countersunk screw and welded nut to hold return to back flange
E. Removable Cookie-Tin Back
F. Inner Return:
G. Stud
H. Riv-Nut
I. Size Material Push Thru
J. LEDs