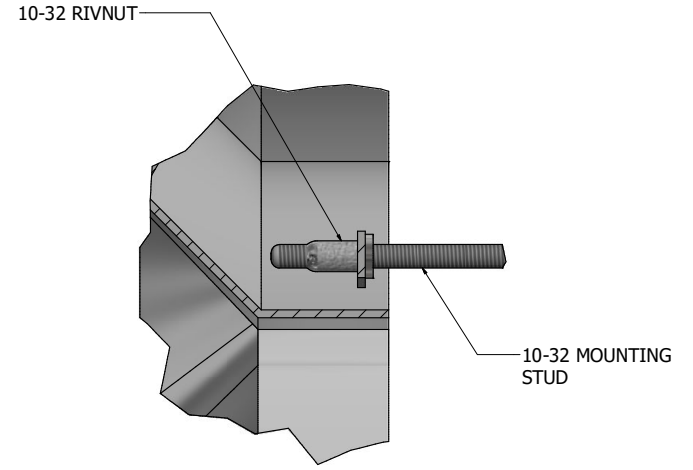
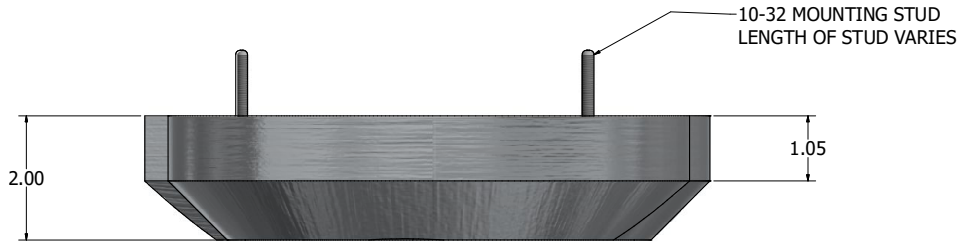
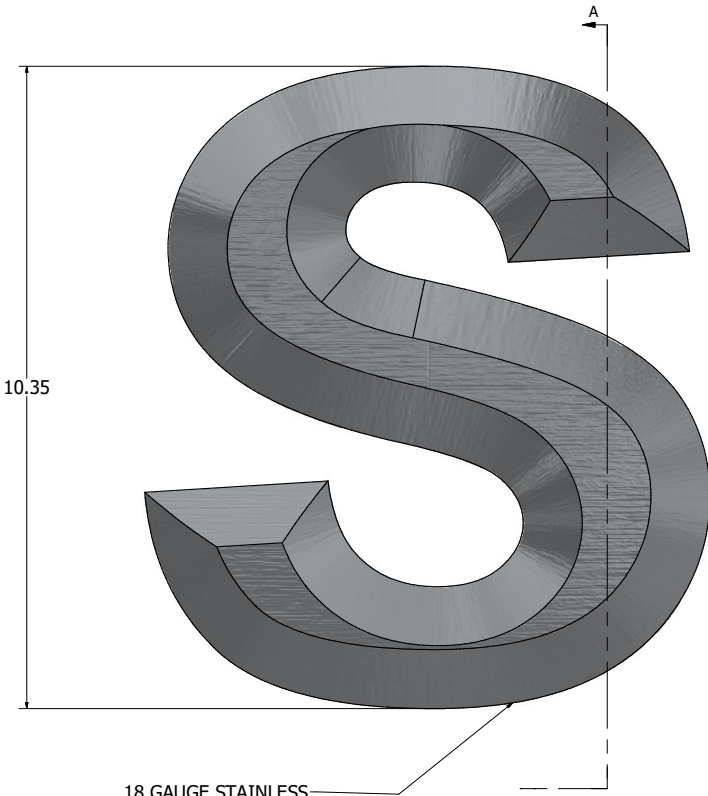


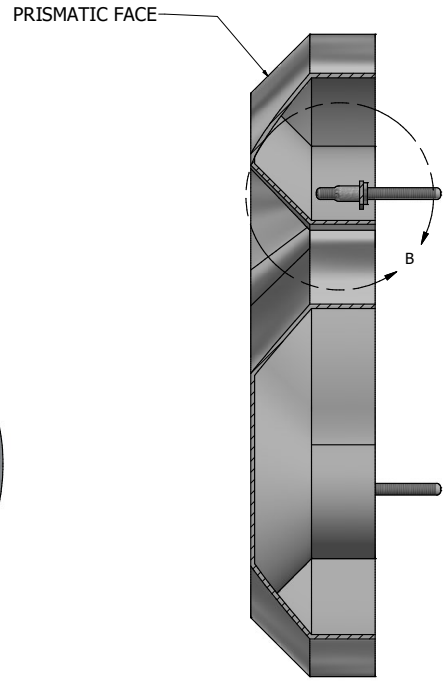
8 7 6 5 4 3 2 1



DETAIL B
SCALE 2 : 1



18 GAUGE STAINLESS
STEEL PRISMATIC LETTER
FINISH AND MATERIAL VARIES



DRAWN	5/15/2018	TITLE	
CHECKED		Prismatic Letter	
QA		SIZE	DWG NO
PMFG		D	PRISMATIC STRAP STUD
APPROVED		SCALE	1
		SHEET 2 OF 2	

8 7 6 5 4 4 3 2 1